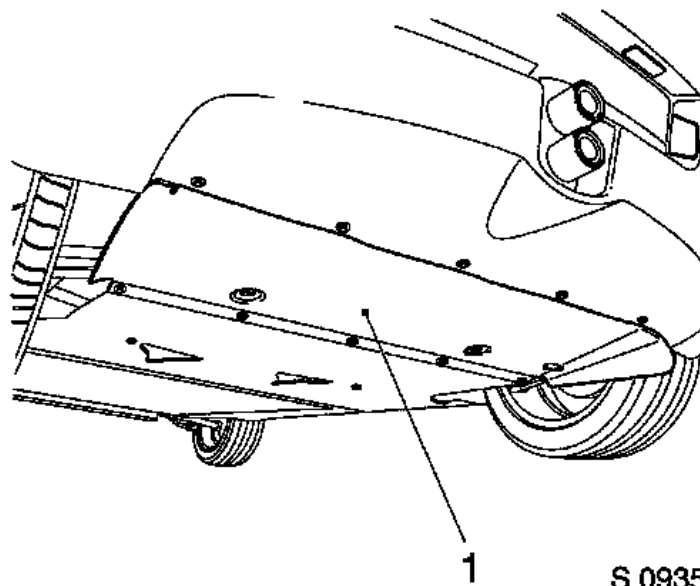


Undertray, Exhaust, Remove and Install



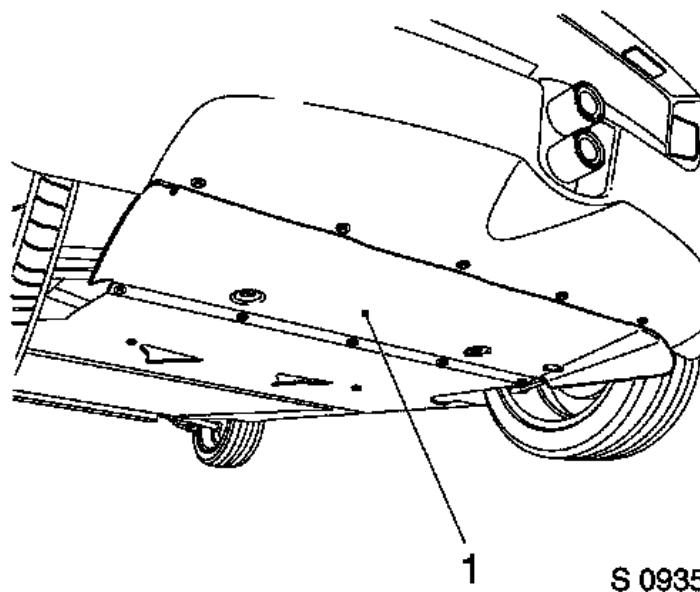
Remove

1. Raise vehicle
2. Remove exhaust undertray (1)
 - Remove 12x bolt, 12x washer, 2x clip



Install

3. Install exhaust undertray (1)
 - Install 12x bolt, 12x washer, 2x clip



4. Lower vehicle